

The Atmosphere Forms the Earth SPD method

SPD method, Suction Plastic Drain method, is a plastic drain method uses atmospheric pressure as a substitute for surcharge fill to improve soft ground.

Advantages of SPD method

1. Save Space

SPD method uses smaller space than existing plastic drain methods using surcharge fill.

2. Save Time

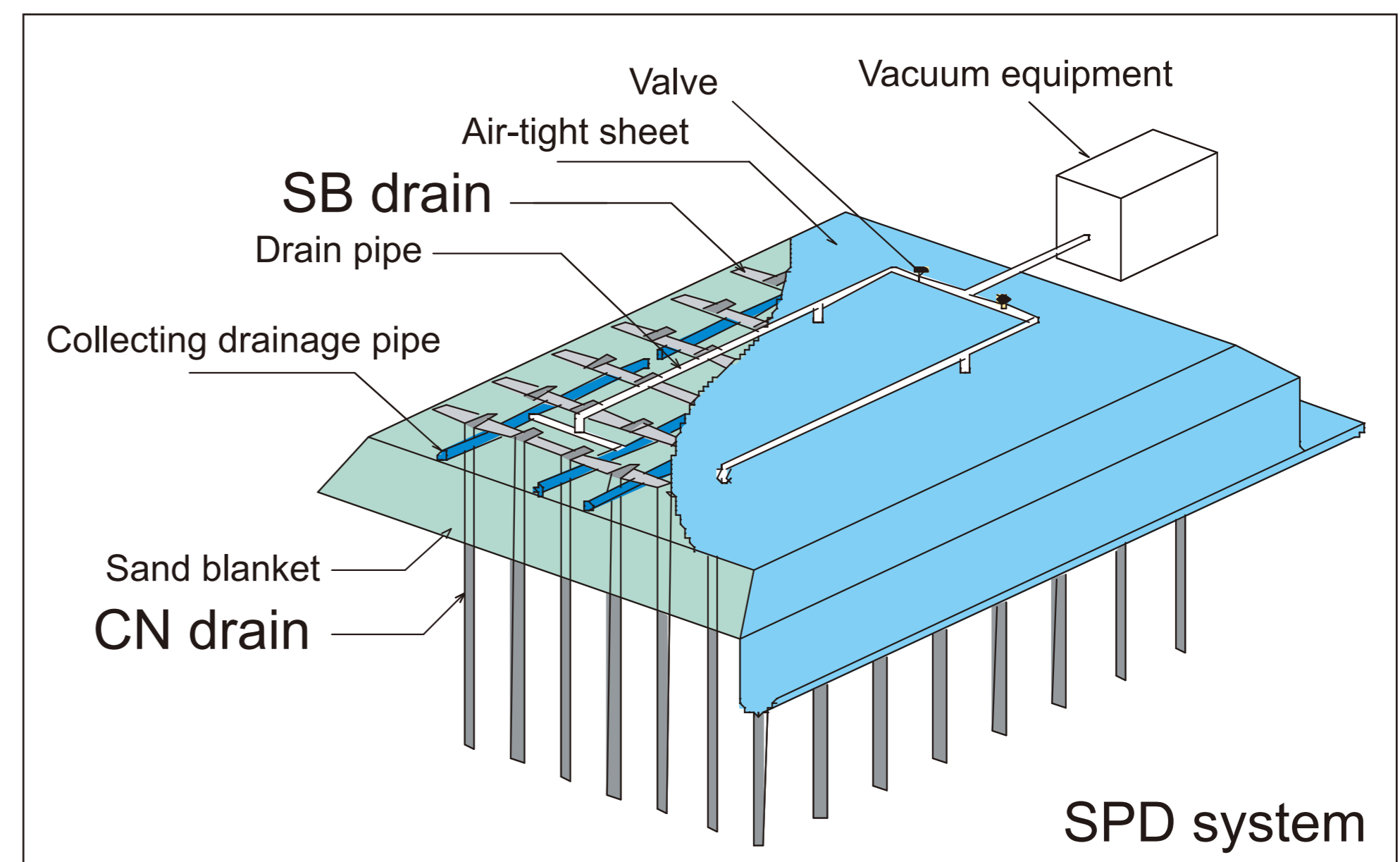
High vacuum system of SPD method accelerate consolidation. Using with surcharge fill make consolidation faster.

3. Efficient drainage

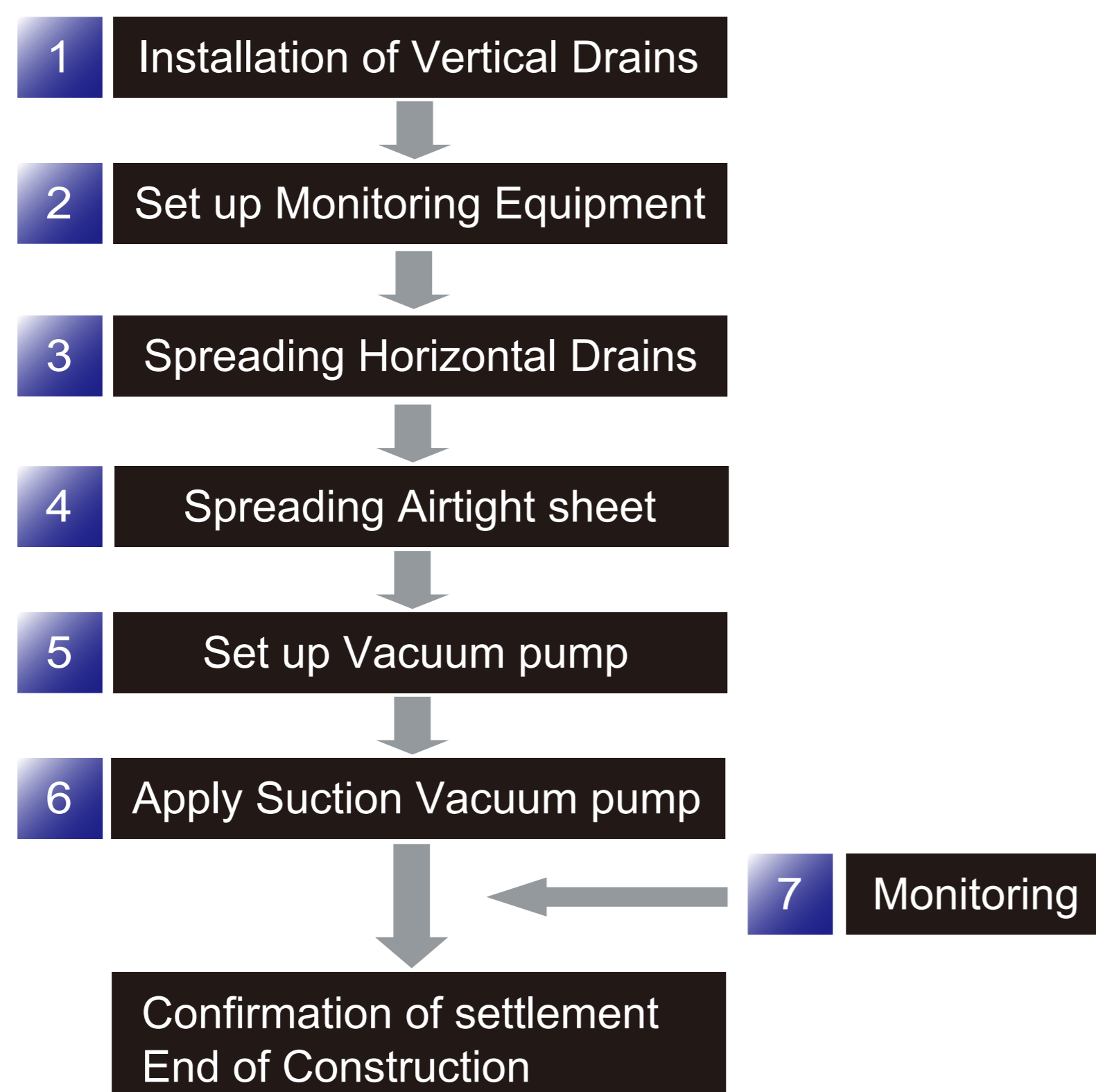
Multiple drainage sequences control the rate of consolidation settlement in balance.

4. Reasonable management

Automatic measurement system records the situation of site. This system is effective to control numerous sites at the same time.



Flowchart of Construction



1 Installation of Vertical Drains



3 Spreading Horizontal Drains



4 Spreading Airtight sheet



6 Apply Suction Vacuum pump

7 Monitoring

Monitoring System of SPD method

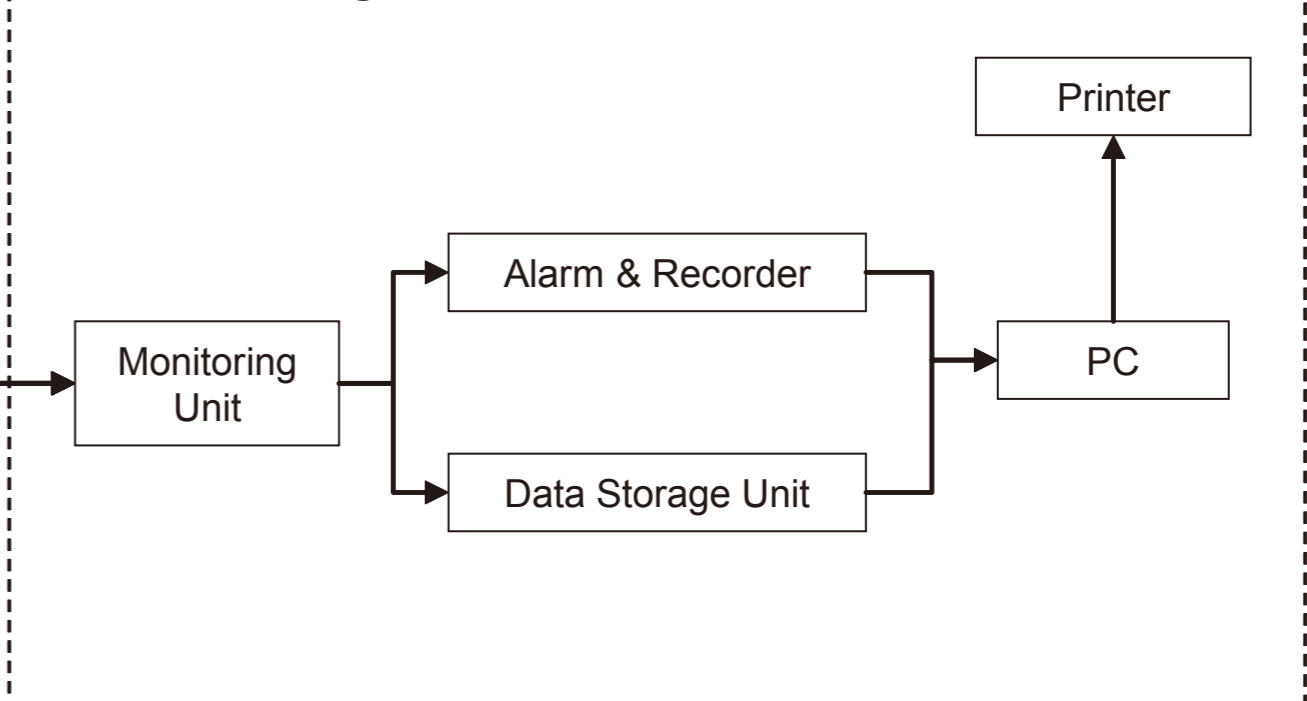
[Ground]

Ground Surface Settlement	Auto Settlement Gauge
Differential Settlement	Differential Settlement Gauge
In-situ Strain	Inclinometer
Water-Level	Pore Water Pressure Gauge

[Equipment]

Ground Surface Settlement	Auto Settlement Gauge
Differential Settlement	Differential Settlement Gauge
In-situ Strain	Inclinometer

Monitoring Room



Chikami Miltec Inc.

2-14-8-6F, Shibaura, Minato-ku, Tokyo, 108-0023 Japan

E mail: sangyo@c-miltec.co.jp